

Torque Wrench Pump

Product Description

- Compact automatic three stage flow, max efficiency.
- Applicable on both one or two wrenches simultaneously.
- Aluminum oil tank with oil gauge and thermometer.
- $\Phi 100$ high pressure gauge.
- Working pressure: 40~700 bar
- With efficient radiator, the pump can work 24 hours continuously.
- The motor can be changed according to the different voltage.
- You can use manifold to operate 4 wrenches simultaneously.

Specifications

Drive	Electric
Tank capacity	8L
Flow (Low-Mid-High)	7~1.6~0.8 L/min
Output pressure	70~700 bar
Source of power	1.1KW
N.W(kg)	26.7

KLW4000



Product Description

- Suitable for air (4~8 Bar) is the preferred source of energy.
- Compact automatic three stage flow, can start in high pressure.
- Applicable on both one or two wrenches simultaneously. Aluminum oil tank with oil gauge and motor. Total weight is only 20.5kg.
- $\Phi 100$ high pressure gauge
- Working pressure: 40~700 bar
- With efficient radiator, the pump can work 24 hours continuously.
- You can use manifold to operate 4 wrenches simultaneously.

Specifications

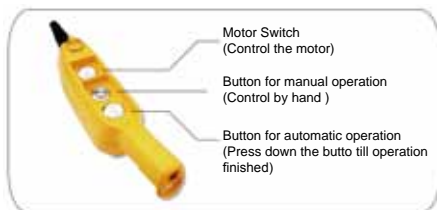
Drive	Air
Tank capacity	8L
Flow (Low-Mid-High)	7~1.6~0.8 L/min
Output pressure	70~700 bar
Air in	4~8 bar
Source of power	1.1KW
N.W(kg)	20.5

KLW4000N



Hydraulic Torque Wrench and Tools

KLW4100



Product Description

• KLW4100 Series Automatic Electrical Pump shared a same design with KLW4000 series standard Electrical Pump, added a set of control system (import from Germany) on the basic of KLW4000 standard Pump, it inherited all the characteristics of KLW4000, some other characteristics of this Pump are as below:

• **Simple Operation:**

Operate with one Button, the operator just need to press down the button one time to achieve the operation of tightening and loosening.

• **High Efficiency:**

Compare with the general Pump, KLW4100 Automatic Pump has compact operation process to reduce some needless action and increase approximate 50% of working efficiency.

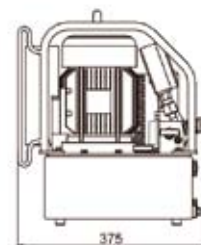
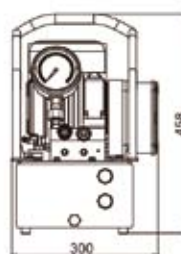
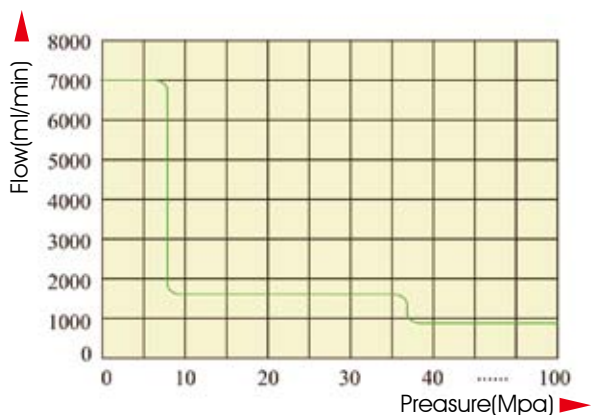
• **Manual / Automatic**

Besides of the automatic operation, the Pump also has the function of manual operation, for some special operation, KLW4100 also can be worked well.

Additionally the KLW4100 can work 24 hours without stop with radiator, We can also make the Pump with other kinds of motors according customers' requirements

Specifications

Drive	Electric
Tank capacity	8L
Flow (Low-Mid-High)	7~1.6~0.8 L/min
Output pressure	70~700 bar
Source of power	1.1KW
N.W(kg)	26.7



FP-4 (Optional)



Hydraulic Nut Splitters



Product Description

- Compact and ergonomic design, easy to use
- Unique angled head design
- Single-acting, spring return cylinder
- Heavy duty chisels can be reground
- Nut Splitters include spare chisel, spare set screw and wrench used to secure the chisel.
- Applications include service trucks, piping industry, tank cleaning, petrochemical, steel construction, mining, etc.

Specifications

- Hexagon Nut Range: 10-75mm
- Bolt Range: M6-M48
- Maximum Operating Pressure: 700bar

Ordering Information

Model No.	Bolt Range(mm)	Hexagon Nut Range(mm)	Capacity Ton (kN)	Length (mm)	Width (mm)	Height (mm)	Oil Capacity(cm ³)	N.W(kg)
HYNC-1319	M6- M12	10- 19	5 (49)	170	40	48	15	1.2
HYNC-1942	M12- M16	19- 24	10 (98)	191	54	62	20	2.0
HYNC-2432	M16- M22	24- 32	15 (147)	222	64	72	60	3.0
HYNC-3241	M22- M27	32- 41	20 (196)	224	75	88	80	4.4
HYNC-4150	M27- M33	41- 50	35 (343)	288	94	105	155	8.2
HYNC-5060	M33- M39	50- 60	50 (490)	318	106	128	240	11.8
HYNC-6075	M39- M48	60- 75	90 (882)	393	156	181	492	34.1

Max. allowable material hardness to split is HRc-44. Not to be used on square nuts

MP Series Electric Pumps

Product Description

- Double-speed designed, infinitely variable pressure adjustment between 0-700 bar.
- Modularity product, supply more than 200 kinds electric pump, and 5 different valves are available, 4-56L multiple oil tank, and many different electrical motor(100-120V, 200-240V, 350-420V).
- MP-series electric hydraulic pumps suits to a wide variety of industrial and application fields to work as lifting, pushing, pulling, bending, pressing, punching and many other applications. It is a economical and durable power source.



Ordering Information

Valve Block		Introduction To Basic Functions	Circuit Diagram
Type A: Manual Valve (double-acting)		By the manual valve to operate the double acting tank, responses quickly, and the reservoir piston will stop at once and keep the pressure for a long period.	
Type B: Manual Valve (single-acting)		By the manual valve to operate the single acting tank, responses quickly, easy control, keep the pressure for a long period.	
Type C: Solenoid Valve (single-acting)		By the solenoid valve to operate the single acting tank, responses quickly, easy control, keep the pressure for a long period.	
Type D: Solenoid Valve (single-acting)		Press a button to operate the solenoid valve to control the outputting and inputting oil of the oil pump.	
Type H: Solenoid Valve (double-acting)		By the solenoid valve to operate the double acting tank, responses quickly, and the reservoir piston will stop at once and keep the pressure for a long period.	

Above the valve block can be installed in any size of oil tank

Hydraulic Torque Wrench and Tools

MP Series Pump Selection Table

220~230V/50Hz				Universal specifications				220~230V/60Hz					
Model No.	Power	Flow L/min		Valve type	Valve function	Volume	N.W	Flow L/min		Power	Model No.		
		Low	High					Low	High				
MP04AR56	0.37KW Single Phase	2	0.3	TypeA:Manual Valve(duble-acting)	Input/Lock/Output	6L/4L	19						
MP04BR56		2	0.3	TypeB:Manual Valve(single-acting)	Input/Output		19						
MP04CR56		2	0.3	TypeC:Solenoid Valve(single-acting)	Input/Lock/Output		19						
MP04DR56		2	0.3	TypeD:Solenoid Valve(single-acting)	Input/Output		19						
MP04HR56		2	0.3	TypeH:Solenoid Valve(duble-acting)	Input/Lock/Output		19						
MP08AS12	1.0KW Single Phase	5.5	0.6	TypeA:Manual Valve(duble-acting)	Input/Lock/Output	10L/8L	21.5	4.5	0.7		MP08AT23		
MP08BS12		5.5	0.6	TypeB:Manual Valve(single-acting)	Input/Output		21.5	4.5	0.7		MP08BT23		
MP08CS12		5.5	0.6	TypeC:Solenoid Valve(single-acting)	Input/Lock/Output		21.5	4.5	0.7		MP08CT23		
MP08DS12		5.5	0.6	TypeD:Solenoid Valve(single-acting)	Input/Output		21.5	4.5	0.7		MP08DT23		
MP08HS12		5.5	0.6	TypeH:Solenoid Valve(duble-acting)	Input/Lock/Output		21.5	4.5	0.7		MP08HT23		
MP13AT13	1.1KW Single Phase	5.5	0.8	TypeA:Manual Valve(duble-acting)	Input/Lock/Output	17L/13L	26	4.5	0.7		MP13AT23		
MP13BT13		7.2	0.8	TypeB:Manual Valve(single-acting)	Input/Output		26	4.5	0.7		MP13BT23		
MP13CT13		7.2	0.8	TypeC:Solenoid Valve(single-acting)	Input/Lock/Output		26	4.5	0.7		MP13CT23		
MP13DT13		7.2	0.8	TypeD:Solenoid Valve(single-acting)	Input/Output	26	4.5	0.7	MP13DT23				
MP13HT13		5.5	0.8	TypeH:Solenoid Valve(duble-acting)	Input/Lock/Output	26	4.5	0.7	MP13HT23				
MP18AT13		5.5	0.8	TypeA:Manual Valve(duble-acting)	Input/Lock/Output	20L/18L	27	4.5	0.7		MP18AT23		
MP18BT13		7.2	0.8	TypeB:Manual Valve(single-acting)	Input/Output		27	4.5	0.7		MP18BT23		
MP18CT13		7.2	0.8	TypeC:Solenoid Valve(single-acting)	Input/Lock/Output		27	4.5	0.7		MP18CT23		
MP18DT13		7.2	0.8	TypeD:Solenoid Valve(single-acting)	Input/Output	27	4.5	0.7	MP18DT23				
MP18HT13		5.5	0.8	TypeH:Solenoid Valve(duble-acting)	Input/Lock/Output	27	4.5	0.7	MP18HT23				
MP24AT13		1.1KW Single Phase	5.5	0.8	TypeA:Manual Valve(duble-acting)	Input/Lock/Output	27L/24L	29	4.5		0.7		MP24AT23
MP24BT13			7.2	0.8	TypeB:Manual Valve(single-acting)	Input/Output		29	4.5		0.7		MP24BT23
MP24CT13			7.2	0.8	TypeC:Solenoid Valve(single-acting)	Input/Lock/Output		29	4.5		0.7		MP24CT23
MP24DT13			7.2	0.8	TypeD:Solenoid Valve(single-acting)	Input/Output	29	4.5	0.7		MP24DT23		
MP24HT13			5.5	0.8	TypeH:Solenoid Valve(duble-acting)	Input/Lock/Output	29	4.5	0.7		MP24HT23		
MP32AT13	5.5		0.8	TypeA:Manual Valve(duble-acting)	Input/Lock/Output	40L/32L	33	4.5	0.7	MP32AT23			
MP32BT13	7.2		0.8	TypeB:Manual Valve(single-acting)	Input/Output		33	4.5	0.7	MP32BT23			
MP32CT13	7.2		0.8	TypeC:Solenoid Valve(single-acting)	Input/Lock/Output		33	4.5	0.7	MP32CT23			
MP32DT13	7.2		0.8	TypeD:Solenoid Valve(single-acting)	Input/Output	33	4.5	0.7	MP32DT23				
MP32HT13	5.5		0.8	TypeH:Solenoid Valve(duble-acting)	Input/Lock/Output	33	4.5	0.7	MP32HT23				
MP56AT13	1.1KW Three Phase		5.5	0.8	TypeA:Manual Valve(duble-acting)	Input/Lock/Output	64L/56L	37	4.5	0.7			MP56AT23
MP56BT13			7.2	0.8	TypeB:Manual Valve(single-acting)	Input/Output		37	4.5	0.7			MP56BT23
MP56CT13			7.2	0.8	TypeC:Solenoid Valve(single-acting)	Input/Lock/Output		37	4.5	0.7			MP56CT23
MP56DT13			7.2	0.8	TypeD:Solenoid Valve(single-acting)	Input/Output		37	4.5	0.7			MP56DT23
MP56HT13			5.5	0.8	TypeH:Solenoid Valve(duble-acting)	Input/Lock/Output		37	4.5	0.7			MP56HT23
350~420V/50Hz				Universal specifications				350~420V/60Hz					
MP08AT63	1.1KW Three Phase	5.5	0.8	TypeA:Manual Valve(duble-acting)	Input/Lock/Output	10L/8L	25	4.5	0.7		MP08AT83		
MP08BT63		7.2	0.8	TypeB:Manual Valve(single-acting)	Input/Output		25	4.5	0.7		MP08BT83		
MP08CT63		7.2	0.8	TypeC:Solenoid Valve(single-acting)	Input/Lock/Output		25	4.5	0.7		MP08CT83		
MP08DT63		7.2	0.8	TypeD:Solenoid Valve(single-acting)	Input/Output		25	4.5	0.7		MP08DT83		
MP08HT63		5.5	0.8	TypeH:Solenoid Valve(duble-acting)	Input/Lock/Output		25	4.5	0.7		MP08HT83		
MP13AT63		5.5	0.8	TypeA:Manual Valve(duble-acting)	Input/Lock/Output	17L/13L	26	4.5	0.7		MP13AT83		
MP13BT63		7.2	0.8	TypeB:Manual Valve(single-acting)	Input/Output		26	4.5	0.7		MP13BT83		
MP13CT63		7.2	0.8	TypeC:Solenoid Valve(single-acting)	Input/Lock/Output		26	4.5	0.7		MP13CT83		
MP13DT63		7.2	0.8	TypeD:Solenoid Valve(single-acting)	Input/Output	26	4.5	0.7	MP13DT83				
MP13HT63		5.5	0.8	TypeH:Solenoid Valve(duble-acting)	Input/Lock/Output	26	4.5	0.7	MP13HT83				
MP18AT63		5.5	0.8	TypeA:Manual Valve(duble-acting)	Input/Lock/Output	20L/18L	27	4.5	0.7		MP18AT83		
MP18BT63		7.2	0.8	TypeB:Manual Valve(single-acting)	Input/Output		27	4.5	0.7		MP18BT83		
MP18CT63		7.2	0.8	TypeC:Solenoid Valve(single-acting)	Input/Lock/Output		27	4.5	0.7		MP18CT83		
MP18DT63		7.2	0.8	TypeD:Solenoid Valve(single-acting)	Input/Output	27	4.5	0.7	MP18DT83				
MP18HT63		5.5	0.8	TypeH:Solenoid Valve(duble-acting)	Input/Lock/Output	27	4.5	0.7	MP18HT83				
MP24AT63	5.5	0.8	TypeA:Manual Valve(duble-acting)	Input/Lock/Output	27L/24L	29	4.5	0.7	MP24AT83				
MP24BT63	7.2	0.8	TypeB:Manual Valve(single-acting)	Input/Output		29	4.5	0.7	MP24BT83				
MP24CT63	7.2	0.8	TypeC:Solenoid Valve(single-acting)	Input/Lock/Output		29	4.5	0.7	MP24CT83				
MP24DT63	7.2	0.8	TypeD:Solenoid Valve(single-acting)	Input/Output	29	4.5	0.7	MP24DT83					
MP24HT63	5.5	0.8	TypeH:Solenoid Valve(duble-acting)	Input/Lock/Output	29	4.5	0.7	MP24HT83					
MP32AT63	5.5	0.8	TypeA:Manual Valve(duble-acting)	Input/Lock/Output	40/32L	33	4.5	0.7	MP32AT83				
MP32BT63	7.2	0.8	TypeB:Manual Valve(single-acting)	Input/Output		33	4.5	0.7	MP32BT83				
MP32CT63	7.2	0.8	TypeC:Solenoid Valve(single-acting)	Input/Lock/Output		33	4.5	0.7	MP32CT83				
MP32DT63	7.2	0.8	TypeD:Solenoid Valve(single-acting)	Input/Output	33	4.5	0.7	MP32DT83					
MP32HT63	5.5	0.8	TypeH:Solenoid Valve(duble-acting)	Input/Lock/Output	33	4.5	0.7	MP32HT83					
MP56AT63	1.1KW Three Phase	5.5	0.8	TypeA:Manual Valve(duble-acting)	Input/Lock/Output	64L/56L	37	4.5	0.7		MP56AT83		
MP56BT63		7.2	0.8	TypeB:Manual Valve(single-acting)	Input/Output		37	4.5	0.7		MP56BT83		
MP56CT63		7.2	0.8	TypeC:Solenoid Valve(single-acting)	Input/Lock/Output		37	4.5	0.7		MP56CT83		
MP56DT63		7.2	0.8	TypeD:Solenoid Valve(single-acting)	Input/Output		37	4.5	0.7		MP56DT83		
MP56HT63		5.5	0.8	TypeH:Solenoid Valve(duble-acting)	Input/Lock/Output		37	4.5	0.7		MP56HT83		

Hydraulic Torque Wrench and Tools

MP Series Pump Selection Table

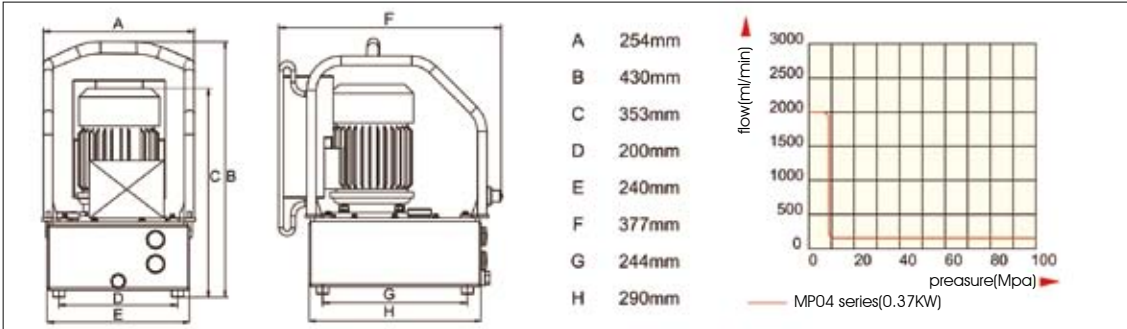
100~120V/50Hz				Universal specifications				100~120V/60Hz			
Model No.	Power	Flow L/min		Valve type	Valve function	Volume	N.W	Flow L/min		Power	Model No.
		Low	High					Low	High		
MP08AT33	1.1KW Single Phase	5.5	0.8	TypeA:Manual Valve(duble-acting)	Input/Lock/Output	10L/8L	25	4.5	0.7	0.9KW Single Phase	MP08AT43
MP08BT33		7.2	0.8	TypeB:Manual Valve(single-acting)	Input/Output		25	4.5	0.7		MP08BT43
MP08CT33		7.2	0.8	TypeC:Solenoid Valve(single-acting)	Input/Lock/Output		25	4.5	0.7		MP08CT43
MP08DT33		7.2	0.8	TypeD:Solenoid Valve(single-acting)	Input/Output		25	4.5	0.7		MP08DT43
MP08HT33		5.5	0.8	TypeH:Solenoid Valve(duble-acting)	Input/Lock/Output	25	4.5	0.7	MP08HT43		
MP13AT33		5.5	0.8	TypeA:Manual Valve(duble-acting)	Input/Lock/Output	17L/13L	26	4.5	0.7		MP13AT43
MP13BT33		7.2	0.8	TypeB:Manual Valve(single-acting)	Input/Output		26	4.5	0.7		MP13BT43
MP13CT33		7.2	0.8	TypeC:Solenoid Valve(single-acting)	Input/Lock/Output		26	4.5	0.7		MP13CT43
MP13DT33		7.2	0.8	TypeD:Solenoid Valve(single-acting)	Input/Output		26	4.5	0.7		MP13DT43
MP13HT33		5.5	0.8	TypeH:Solenoid Valve(duble-acting)	Input/Lock/Output	26	4.5	0.7	MP13HT43		
MP18AT33		5.5	0.8	TypeA:Manual Valve(duble-acting)	Input/Lock/Output	20L/18L	27	4.5	0.7		MP18AT43
MP18BT33		7.2	0.8	TypeB:Manual Valve(single-acting)	Input/Output		27	4.5	0.7		MP18BT43
MP18CT33		7.2	0.8	TypeC:Solenoid Valve(single-acting)	Input/Lock/Output		27	4.5	0.7		MP18CT43
MP18DT33		7.2	0.8	TypeD:Solenoid Valve(single-acting)	Input/Output		27	4.5	0.7		MP18DT43
MP18HT33		5.5	0.8	TypeH:Solenoid Valve(duble-acting)	Input/Lock/Output	27	4.5	0.7	MP18HT43		
MP24AT33		5.5	0.8	TypeA:Manual Valve(duble-acting)	Input/Lock/Output	27L/24L	29	4.5	0.7		MP24AT43
MP24BT33		7.2	0.8	TypeB:Manual Valve(single-acting)	Input/Output		29	4.5	0.7		MP24BT43
MP24CT33		7.2	0.8	TypeC:Solenoid Valve(single-acting)	Input/Lock/Output		29	4.5	0.7		MP24CT43
MP24DT33		7.2	0.8	TypeD:Solenoid Valve(single-acting)	Input/Output		29	4.5	0.7		MP24DT43
MP24HT33		5.5	0.8	TypeH:Solenoid Valve(duble-acting)	Input/Lock/Output	29	4.5	0.7	MP24HT43		
MP32AT33		5.5	0.8	TypeA:Manual Valve(duble-acting)	Input/Lock/Output	40L/32L	33	4.5	0.7		MP32AT43
MP32BT33		7.2	0.8	TypeB:Manual Valve(single-acting)	Input/Output		33	4.5	0.7		MP32BT43
MP32CT33		7.2	0.8	TypeC:Solenoid Valve(single-acting)	Input/Lock/Output		33	4.5	0.7		MP32CT43
MP32DT33		7.2	0.8	TypeD:Solenoid Valve(single-acting)	Input/Output		33	4.5	0.7		MP32DT43
MP32HT33		5.5	0.8	TypeH:Solenoid Valve(duble-acting)	Input/Lock/Output	33	4.5	0.7	MP32HT43		
MP56AT33		5.5	0.8	TypeA:Manual Valve(duble-acting)	Input/Lock/Output	64L/56L	37	4.5	0.7		MP56AT43
MP56BT33		7.2	0.8	TypeB:Manual Valve(single-acting)	Input/Output		37	4.5	0.7		MP56BT43
MP56CT33		7.2	0.8	TypeC:Solenoid Valve(single-acting)	Input/Lock/Output		37	4.5	0.7		MP56CT43
MP56DT33		7.2	0.8	TypeD:Solenoid Valve(single-acting)	Input/Output		37	4.5	0.7		MP56DT43
MP56HT33		5.5	0.8	TypeH:Solenoid Valve(duble-acting)	Input/Lock/Output	37	4.5	0.7	MP56HT43		
200~240V/50Hz				Universal specifications				200~240V/60Hz			
MP08AT73	1.1KW Three Phase	5.5	0.8	TypeA:Manual Valve(duble-acting)	Input/Lock/Output	10L/8L	25	4.5	0.7	1.1KW Three Phase	MP08AT93
MP08BT73		7.2	0.8	TypeB:Manual Valve(single-acting)	Input/Output		25	4.5	0.7		MP08BT93
MP08CT73		7.2	0.8	TypeC:Solenoid Valve(single-acting)	Input/Lock/Output		25	4.5	0.7		MP08CT93
MP08DT73		7.2	0.8	TypeD:Solenoid Valve(single-acting)	Input/Output		25	4.5	0.7		MP08DT93
MP08HT73		5.5	0.8	TypeH:Solenoid Valve(duble-acting)	Input/Lock/Output	25	4.5	0.7	MP08HT93		
MP13AT73		5.5	0.8	TypeA:Manual Valve(duble-acting)	Input/Lock/Output	17L/13L	26	4.5	0.7		MP13AT93
MP13BT73		7.2	0.8	TypeB:Manual Valve(single-acting)	Input/Output		26	4.5	0.7		MP13BT93
MP13CT73		7.2	0.8	TypeC:Solenoid Valve(single-acting)	Input/Lock/Output		26	4.5	0.7		MP13CT93
MP13DT73		7.2	0.8	TypeD:Solenoid Valve(single-acting)	Input/Output		26	4.5	0.7		MP13DT93
MP13HT73		5.5	0.8	TypeH:Solenoid Valve(duble-acting)	Input/Lock/Output	26	4.5	0.7	MP13HT93		
MP18AT73		5.5	0.8	TypeA:Manual Valve(duble-acting)	Input/Lock/Output	20L/18L	27	4.5	0.7		MP18AT93
MP18BT73		7.2	0.8	TypeB:Manual Valve(single-acting)	Input/Output		27	4.5	0.7		MP18BT93
MP18CT73		7.2	0.8	TypeC:Solenoid Valve(single-acting)	Input/Lock/Output		27	4.5	0.7		MP18CT93
MP18DT73		7.2	0.8	TypeD:Solenoid Valve(single-acting)	Input/Output		27	4.5	0.7		MP18DT93
MP18HT73		5.5	0.8	TypeH:Solenoid Valve(duble-acting)	Input/Lock/Output	27	4.5	0.7	MP18HT93		
MP24AT73		5.5	0.8	TypeA:Manual Valve(duble-acting)	Input/Lock/Output	27L/24L	29	4.5	0.7		MP24AT93
MP24BT73		7.2	0.8	TypeB:Manual Valve(single-acting)	Input/Output		29	4.5	0.7		MP24BT93
MP24CT73		7.2	0.8	TypeC:Solenoid Valve(single-acting)	Input/Lock/Output		29	4.5	0.7		MP24CT93
MP24DT73		7.2	0.8	TypeD:Solenoid Valve(single-acting)	Input/Output		29	4.5	0.7		MP24DT93
MP24HT73		5.5	0.8	TypeH:Solenoid Valve(duble-acting)	Input/Lock/Output	29	4.5	0.7	MP24HT93		
MP32AT73		5.5	0.8	TypeA:Manual Valve(duble-acting)	Input/Lock/Output	40/32L	33	4.5	0.7		MP32AT93
MP32BT73		7.2	0.8	TypeB:Manual Valve(single-acting)	Input/Output		33	4.5	0.7		MP32BT93
MP32CT73		7.2	0.8	TypeC:Solenoid Valve(single-acting)	Input/Lock/Output		33	4.5	0.7		MP32CT93
MP32DT73		7.2	0.8	TypeD:Solenoid Valve(single-acting)	Input/Output		33	4.5	0.7		MP32DT93
MP32HT73		5.5	0.8	TypeH:Solenoid Valve(duble-acting)	Input/Lock/Output	33	4.5	0.7	MP32HT93		
MP56AT73		5.5	0.8	TypeA:Manual Valve(duble-acting)	Input/Lock/Output	64L/56L	37	4.5	0.7		MP56AT93
MP56BT73		7.2	0.8	TypeB:Manual Valve(single-acting)	Input/Output		37	4.5	0.7		MP56BT93
MP56CT73		7.2	0.8	TypeC:Solenoid Valve(single-acting)	Input/Lock/Output		37	4.5	0.7		MP56CT93
MP56DT73		7.2	0.8	TypeD:Solenoid Valve(single-acting)	Input/Output		37	4.5	0.7		MP56DT93
MP56HT73		5.5	0.8	TypeH:Solenoid Valve(duble-acting)	Input/Lock/Output	37	4.5	0.7	MP56HT93		

Hydraulic Torque Wrench and Tools

Outline Dimension Drawing of MP Series Pump

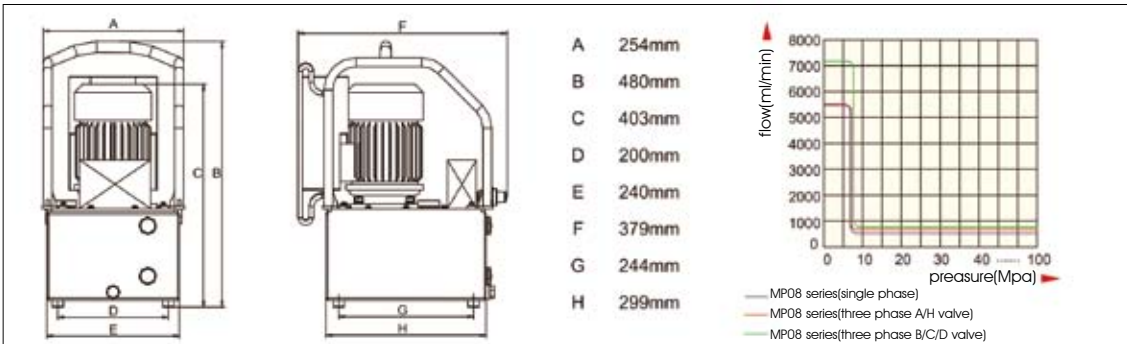
MP04 series

6L tank and 4L available, use 0.37KW power and type A/B/C valve



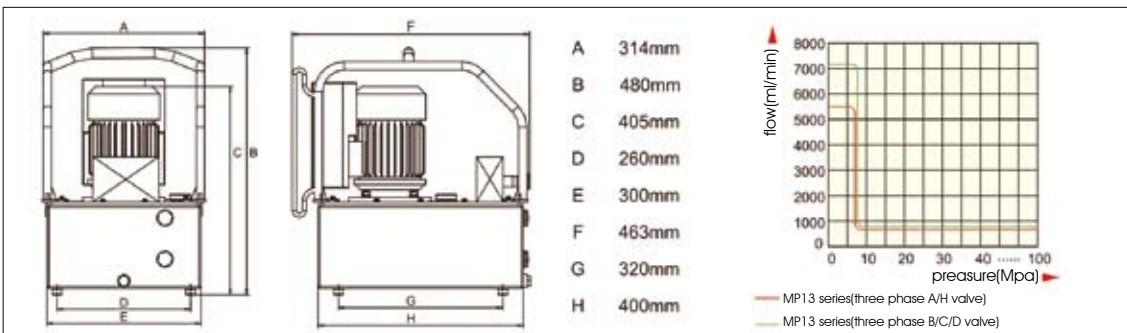
MP08 series

10L tank and 8L available, use 0.37KW&1.1KW power and type A/B/C/D/H valve



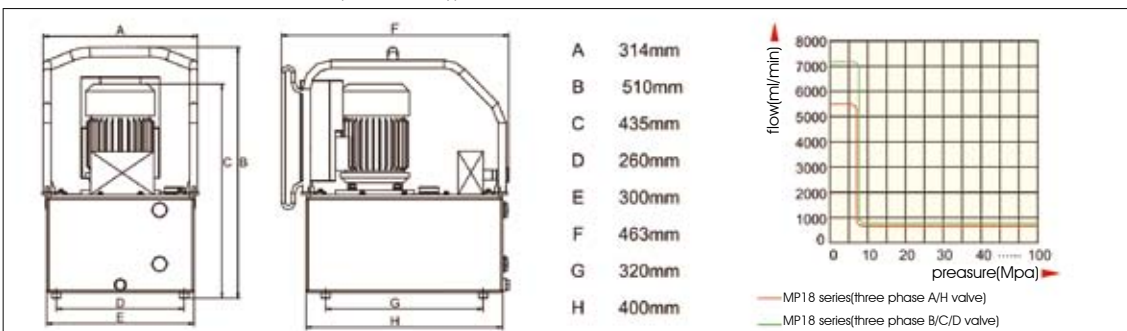
MP13 series

17L tank and 13L available, use 1.1KW power and type A/B/C/D/H valve



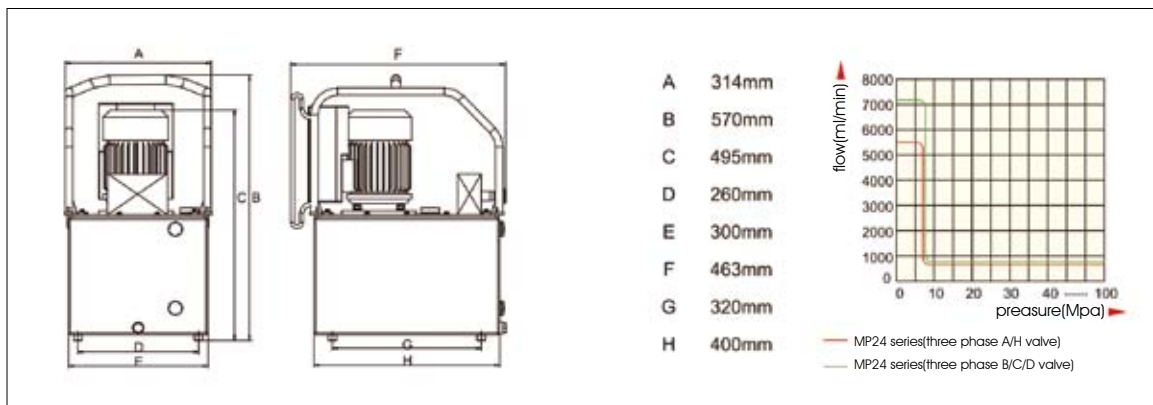
MP18 series

20L tank and 18L available, use 1.1KW power and type A/B/C/D/H valve

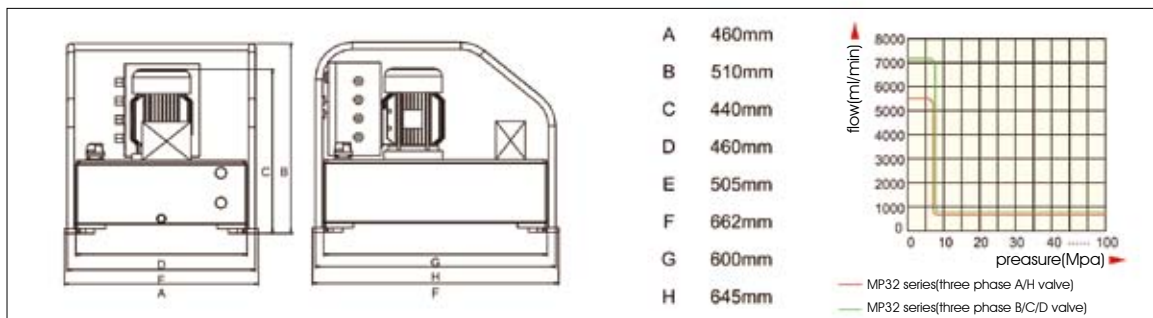


Hydraulic Torque Wrench and Tools

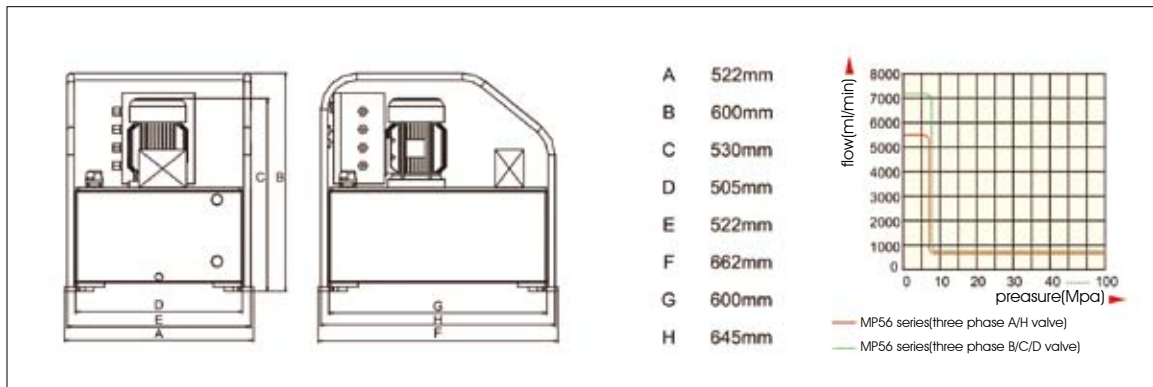
MP24 series
27L tank and 24L available, use 1.1KW power and type A/B/C/D/H valve



MP32 series
40L tank and 32L available, use 1.1KW power and type A/B/C/D/H valve



MP56 series
64L tank and 32L available, use 1.1KW power and type A/B/C/D/H valve



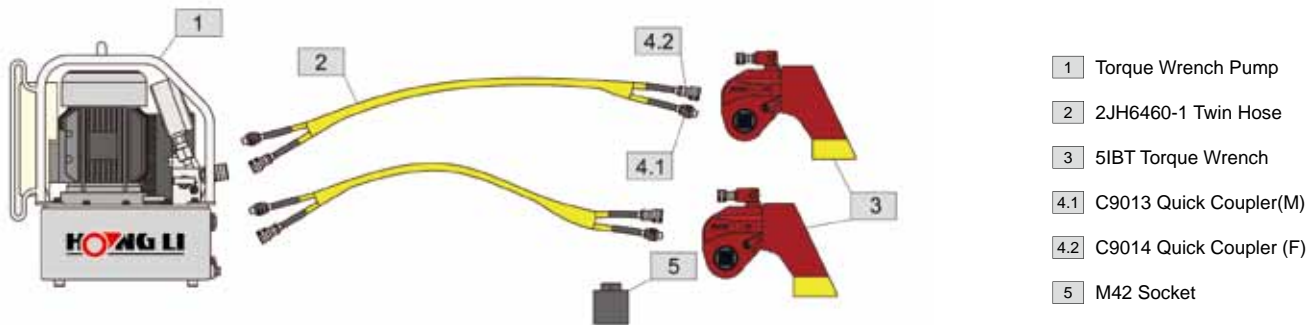
These are all the standard configuration, if you have some special requirements, please contact us, We will provide our best serving for all the customers.

Examples of System Connection for Hydraulic Wrench

Conditions

- The existing M42(S65) strength grade lever 8.8 flange bolt with a two drive type hydraulic torque wrench
- Each type of hydraulic torque wrench has its own torque range.
- If known locking torque value is X N. m, the wrench maximum output torque value should be at least 2X N. m (the loosening torque is 1.5~2 times than locking). For the bolt M42(S65) bolt in this demonstration, If the technical requirements of the locking torque values is 2600N. m, it is suggested that the torque value should be greater than 5200N. m. (If there are no loosening requirements in the filed conditions, relatively little torque models can be used). According to selection table, the most suitable wrench is model 5IBT.
- If the locking torque requirements is not clear. Our engineer can recommend the suitable model. You can also follow the steps below to choose suitable models according to the chart of bolt and nut torque value. In current case, the M42(S65) bolt locking torque is $2744 \times 90\% = 2470\text{N. m}$. The loosening torque is 1.5~2 times greater than locking, so the matching hydraulic wrench torque value should be greater than 4940N. m. After checking selection chart, the most suitable torque wrench wrench is model 5IBT.

Demonstration



One pump with two torque wrenches

Type	Quantity	Description
LP3	1	220V/50Hz Output 70Mpa
5IBT	2	Torque 752~7528N. m
2JH6460-1	2	6M
C901 Quick Coupler	4	C9013 and C9014 for a pair
M42 Socket	2	1-1/2" to S65

One with One

Type	Quantity	Description
LP3	1	220V/50Hz Output 70Mpa
5IBT	1	Torque 752~7528N. m
2JH6460-1	1	6M
C901 Quick Coupler	2	C9013 and C9014 for a pair
M42 Socket	1	1-1/2" to S65