

Wall Chaser

HL-3580



Product Description

- For installation of electric wires, pipes into the wall.
- 5-10 times quicker comparing to normal wall slot cutting tool.
- High-precision driving parts guarantee steady performance in rough applications.
- Cutting speed can reach up to 2 meters/minute with red brick wall and 1 meter/minute in brick wall with cement covered.

Specifications

- Motor: Universal 1450W, 230-240V_50Hz/110V_60Hz
- No-load speed: 1800RPM
- Grooving width: A(15-25mm) B(25-40MM)
- Maximum grooving depth: A(25mm) B(35MM)
- Package size: 45x42x32CM/2pcs
- Packing model: BMC
- Certification: GS / ROHS / CE / EMC certified

Ordering Information

Catalog No.	Model No.	Description	N.W(kg)
4011010	HL3580	Wall chaser, 110V / 60Hz	7.8
4011020	HL3580	Wall chaser, 220V / 50Hz	7.8
4011012		A blade	0.128
4011013		B blade	0.29



A blade
(single teeth)



B blade
(double teeth)

Features

- Suitable for air brick, red brick and cement-covered walls.
- Cutting speed: In a minute, 4 meters in air brick, 2 meters in red brick, 1 meter in brick walls covered with cement.
- Cutting width and depth: 25MM blade, 15-25mm; 35MM blade, 25-40mm.
- Cutting blade can be sharpened more than 40 times. Estimated life expectancy:
Standard hollow sand brick: 6000 meters Solid brick: 3500 meters Cement-covered brick: 3000 meters Cement sand brick: 3500 meters White brick: 5000 meters
- High efficiency 10 times quick than normal slot cutting tools 1X(by our wall chaser)=10X(by marble saw + hammer drill) Accurate cutting. (straight or curve line)
- Designed with quick dust extraction system

HL-1002

Specifications

- Motor: Universal 3500W, 220-240V(AC) /50Hz
- No-load speed: 8500RPM
- Grooving width: 2.5-40mm(there are totally 8 pcs of blades, if worked with 1 pc of blade, it is 2.5mm, if 8 pcs, it could be 40mm)
- Grooving depth: 20-40mm adjustable
- Diamond disk size:115mm × Ø22 × 2mm
- 1002 standard includes water cooling part.
- Packing model: BMC

Features

- Suitable for air brick, red brick and cement-covered walls, focus-on reinforced concrete walls.
- **Cutting tool:** diamond disk.
- The 1002 wall chaser features an infrared light for precise working.
- The cutting part is located in the middle of the body of 1001, while 1002 at the head. This structure will enable 1002 to cut slots even at the corner of the wall, which 1001 cannot cut.

Ordering Information

Catalog No.	Model No.	Description	N.W(kg)
4011220	HL1002	Wall chaser, 220V/50Hz	9
4011111		diamond disk(8pcs)	0.95



Spare diamond disk



Hand Test Pump

RP50

Product Description

- Reliable and precise measurement results : the double valve system of the RP50 allows the self-test of the pump as well as a precise fine adjustment of pressure.
- Robust precision testing pump for pressure testing of water lines and containers up to 60bar with very high testing standards.
- Pressure testing with water or oil of piping in residential and industrial construction, as well as for industrial containers. Expansion possible with an extra fine scaling pressure gauge (0.1bar) for testing up to 16 bars.
- A drag indicators displays the preset pressure so that a loss of pressure in the system can be detected easier.
- Especially precise reading as needed: finely scaled (scaling 0.1bar) pressure gauge available separately.
- Testing hose with steel mesh prevents reading mistakes, that can happen when the hose expands during operation.

Specifications

- Testing range: 0-60bar(860psi, 6Mpa)
 - Tank capacity: 12L
 - Volume/stroke: ≈45ml
 - Connections: 1/2" BSPP
 - Valve material: Aluminum
 - Tank material: steel
 - Water tank: steel
 - Hollow handle
- Accessories: pressure hose, pressure gauge, seal set

Ordering Information

Catalog No.	Description	N.W(kg)
3521000	RP50 pressure test pump	8



Pipe and Installation Tools

Product Description

- For quick and exact compression testing.
- For testing of leaks in installations, especially for use in heating, compressed air, refrigeration systems, oil installations, sprinkler systems and other small bore pipe applications.

Specifications

- Model: HSY60
- Testing range: 0-60bar(860psi, 6Mpa)
- Tank capacity: 5L
- Flow: 8ml / stroke
- Connections: 1/2" BSPP
- Valve material: brass
- Tank material: steel
- Hollow handle
- Accessories: pressure hose, pressure gauge, seal set



Specifications

- Model: HSY30-5
- Testing range: 0-60bar(860psi, 6Mpa)
- Tank capacity: 12L
- Flow: ≈45ml / stroke
- Connections: 1/2" BSPP
- Valve material: brass
- Tank material: steel
- Solid handle
- Accessories: pressure hose, pressure gauge, seal set



Specifications

- Model: HSY30-5S
- Testing range: 0-60bar(860psi, 6Mpa)
- Tank capacity: 12L
- Flow: ≈45ml / stroke
- Connections: 1/2" BSPP
- Valve material: brass
- Tank material: stainless steel
- Solid handle
- Accessories: pressure hose, pressure gauge, seal set



Ordering Information

Catalog No.	Description	N.W(kg)
3511000	HSY60 pressure test pump	4
3521100	HSY30-5 pressure test pump	7
3521200	HSY30-5S pressure test pump	7

Electric Test Pump

Product Description

- Suitable for water or hydraulic oil as medium, for all kinds of pressure vessel, pipe, valves, pressure test, etc. Also used for the hydraulic energy, provide the required pressure, suitable for chemical industry, building, water, oil, coal, metallurgy, ship-building and other industries.
- With compact reasonable structure, the test pump is easy to operate, and light weight for carry.
- Convenient maintenance, DSY-series electric test pump is driven by motor, greatly improving work efficiency.

Specifications

- Model: DSY60
- Testing range: 0-60bar(860psi, 6Mpa)
- Water flow: 2.9L/min
- Valve: brass, single type
- Connections: 1/2" BSPP
- Power: 250W induction type
- Accessories: pressure hose, pressure gauge, seal set

Specifications

- Model: DSY60A
- Testing range: 0-60bar(860psi, 6Mpa)
- Water flow: 6L/min
- Valve: brass, single type
- Connections: 1/2" BSPP
- Power: 400W induction type
- Accessories: pressure hose, pressure gauge, seal set

Ordering Information

Catalog No.	Description	N.W(kg)
3521320	DSY60 pressure test pump, 220V-50Hz	12
3521310	DSY60 pressure test pump, 110V-60Hz	
3521420	DSY60A pressure test pump, 220V-50Hz	17.5
3521410	DSY60A pressure test pump, 110V-60Hz	



Operation display



Packaging and accessories

Pipe Stands

Product Description

- The heavy-duty adjustable pipe stands are available in varying configurations with capacity from 1/8"-12" (3mm-300mm); suitable for use with threading machine, roll groovers, etc.



1107



1107S



A-Ball Transfer Head



B-Ball Transfer Head

V Head Pipe Stands

Catalog No.	Model No.	Description	Height Adjustment Low-High		Max. Pipe Capacity		Max. Weight Capacity		N.W
			in.	mm	in.	mm	lb.	kg	kg
4021210	1107	V Head High Pipe Stand	28-52	71-132	12	300	2500	1134	14.5
4021310	1107S	V Head Low Pipe Stand	24-40	61-102	12	300	2500	1134	11.5

Ball Transfer Head

Catalog No.	Model No.	Description	Height Adjustment Low-High		Max. Pipe Capacity		Max. Weight Capacity		N.W
			in.	mm	in.	mm	lb.	kg	kg
4021217	A	Ball Transfer Head only	--	--	12	300	1000	454	1.5
4021218	B	Ball Transfer Head only	--	--	12	300	1000	900	2.8

Pipe Stands



1105



1106



1109

Support Stand for Groovers

Catalog No.	Model No.	Description	Height Adjustment Low-High		Max. Pipe Capacity		Max. Weight Capacity		N.W
			in.	mm	in.	mm	lb.	kg	kg
4021010	1105	Stand for Groovers	9-16	23-41	12	300	660	300	

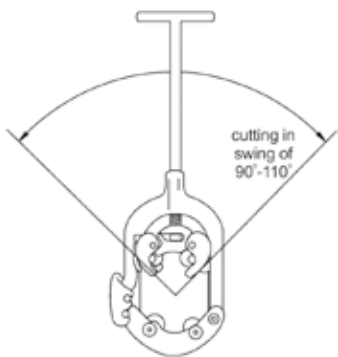
Support Stand for Groovers

Catalog No.	Model No.	Description	Height Adjustment Low-High		Max. Pipe Capacity		Max. Weight Capacity		N.W
			in.	mm	in.	mm	lb.	kg	kg
4021110	1106	Stand for Groovers	13-23	33-58	12	300	1320	600	

Roller Head Pipe Stand

Catalog No.	Model No.	Description	Height Adjustment Low-High		Max. Pipe Capacity		Max. Weight Capacity		N.W
			in.	mm	in.	mm	lb.	kg	kg
4021410	1109	Roller Head Pipe Stand	32-55	82-140	12	300	1000	454	15

Hinged Pipe Cutters



Product Description

- Designed for rapid cutting of 2" through 8" steel pipe, heavy-wall steel pipe and cast-iron pipe.
- The cutters operate with minimal cutter rotation (90-110 degree) as necessary for tight quarters.
- During cutting operation, there is no sparks, serving jobs with such special requirements.
- Portable and light weight, easy for transportaion.



Ordering Information

Catalog No.	Model No.	Description	Pipe Capacity		N.W(kg)
			in.	mm.	
89100	H4S	For Steel Pipe	2-4	50-100	6.5
89200	H6S	For Steel Pipe	4-6	100-150	9
89300	H8S	For Steel Pipe	6-8	150-200	12

Pipe Cutters

H14S Low Clearance Rotary Cutter

- The low profile design of H14S cutter needs only 5 inch (127 mm) clearance for up to 14 inch pipe diameter.
- Safe, clean, straight cuts are easy with these manual-operated cutters.
- Cold cut large diameter steel, most stainless steel pipe in close quarters.
- H14S cutters are supplied with a slip-on handle that is used to turn and tighten the cutter.
- With good leverage from the tool's long handle, pipe snaps off squarely before the cutter wheels penetrate halfway through the pipe.
- Provides a square cut and can be used in close quarters anywhere – in the ditch, underwater, in noise-free zones, over head, in racks of pipes, etc.



Model H14S Pipe Cutter

Ordering Information

Catalog No.	Model No.	Description	Pipe Capacity		N.W(kg)
			in.	mm.	
89400	H14S	For Steel & Stainless Steel	10-14	250-350	25
Accessories					
	--	Cutting Wheel for H14S	10-14	250-350	

Pipe Cutters

Product Description

- Fast, clean pipe cutting by hand or power.
- Extra-long shank protects adjustment threads. While an extra-large handle is provided for quick, easy adjustment.
- Second handle on H3A, H4A makes two-man leverage possible on large pipe sizes.

Ordering Information

Catalog No.	Model No.	Description	Pipe Capacity		N.W(kg)
			in.	mm.	
4571000	H2A	Heavy-Duty Pipecutter	1/8-2	3-50	3.3
4571100	H3A	Heavy-Duty Pipecutter	1-3	25-75	3
4571200	H4A	Heavy-Duty Pipecutter	2-4	50-100	5.5



Pipe Reamer

Product Description

- M2 Ratchet Reamer – Long taper design will not dig in.
- It's suitable for use with SQ50D power drive.
- Portable and light weight.
- Designed for 1/8"-2" steel pipes.
- Hardened alloy steel cone.



Ordering Information

Catalog No.	Model No.	Description	Pipe Capacity		N.W
			in.	mm	kg
4561000	M2	Straight Reamer	1/8-2	3-50	3



Pipe Vises



H402 Bench Chain Vise



H40-A Portable Tristand Yoke Vise

Product Description

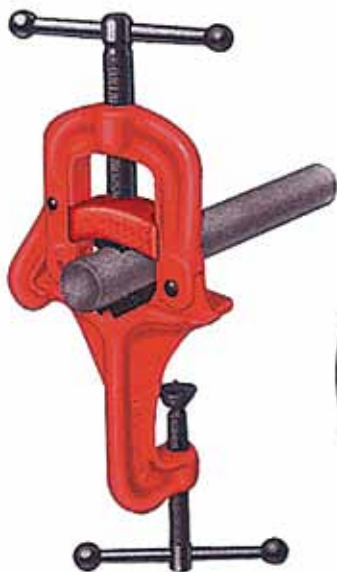
- Models H401 and H40-A include intergral legs and tray fold in for easy carrying and setup. Large vise base overhangs front legs for clear tool swing. Casting Aluminum base, lightweight but strong enough.
- Models H401 and H40-A include slots for hanging tools, pipe rest, three-pipe benders, and ceiling brace screw.
- Models H401 and H402 Crank handle is anchored to base.
- Model H401 features a larger work surface.
- Model H402 Rugged cast-iron base has handy pipe rest and bender.



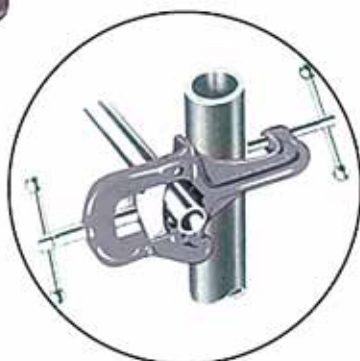
H401 Portable Tristand Chain Vise

Ordering Information

Catalog No.	Model No.	Description	Pipe Capacity		N.W
			in.	mm	kg
88200	H401	Portable Tristand Chain Vise	1/8-6	3-150	20
4551210	H40-A	Portable Tristand Yoke Vise	1/8-2½	3-60	20
88300	H402	Top Screw Bench Chain Vise	1/8-6	3-150	7



Portable Yoke Vise



Bench Yoke Vise

Product Description

- Yoke and base made of strong, dependable iron. Hardend alloy steel jaws and convenient pipe rest and bender.
- Portable yoke vise easily attaches to plank, workbench or post.

Ordering Information

Catalog No.	Model No.	Description	Pipe Capacity		N.W
			in.	mm	kg
4551010	HL21	Bench Yoke Vise	1/8-2	3-50	4
4551011	HL22	Bench Yoke Vise	1/8-2½	3-60	6.25
4551012	HL23	Bench Yoke Vise	1/8-3	3-80	8
4551013	HL25	Bench Yoke Vise	1/8-4	3-100	12
4551110	HL38	Portable Yoke Vise	1/8-2	3-50	5